



Invitation to Quote (ITQ) FRAMEWORK AGREEMENT FOR 2021 - GENERAL MATERIAL - Purchase Requisition: GR-THS-027-2021

Arbeiter-Samariter-Bund <i>ASB Greece</i> <b>Address: 15, Nikiforou Ouranou Street, Porto Center, Thessaloniki Country Office</b> <b>Office telephone: +30 2316015289</b>	Sender name/position/telephone/email  <b>Logistics Department/ procurement@asb.gr</b>
Opening Date: <b>24/02/2021</b>	Closing Date: <b>05/03/2021, 16:00</b>

Request for Quote reference: **No. ITQ-THS-027-2021**

Subject or Title: **“FRAMEWORK AGREEMENT FOR 2021 - GENERAL MATERIAL”**

Arbeiter Samariter Bund Deutschland e.V (ASB) started its activities in Greece in March 2016, focusing on the provision of Humanitarian Aid to refugees/migrants. Between 2016 and 2018 the ASB implemented two major projects funded by the European Union (DG ECHO) and the German Federal Foreign Ministry. In 2017 the ASB built the technical facilities and shelters for the Long - Term Accommodation Centre (LTAC) of Diavata and in 2018, ASB acquired four accommodation sites in the Epirus Region (Katsikas, Filippiada, Doliana and Konitsa). In 2019, the ASB with the funding of the Directorate - General for Migration and Home Affairs of the European Union (DG HOME) and in coordination with the International Organisation for Migration (IOM) implemented the "Improving the Greek Reception System Through Site Management Support and Targeted Interventions in Long - Term Accommodation Sites" project for the sites of Diavata, Filippiada, Katsikas and Doliana. In 2020 the ASB implemented the Program "Supporting the Greek Authorities in Managing the National Reception System for Asylum Seekers and Vulnerable Migrants (SMS)", for the LTAC of Diavata (Thessaloniki region), Katsikas, Filippiada, Doliana and continues it into 2021 as a no cost extension and with the addition of the LTAC of Agia Eleni.

**1. Conclusion of Framework Agreement for the supply of general hardware materials at Diavata Open Center of Temporary Reception for 2021 / Σύναψη Συμφωνίας-Πλαίσιο σταθερών τιμών για την προμήθεια αναλώσιμων και γενικών υλικών για τη δομή των Διαβατών για το 2021.**

- The duration of the signed Framework Agreement will be from **the contract's effective date till 30th of June 2021**, with the **possibility of extension for six (6) months** with the **annual offer prices remaining the same**. Any extension will be implemented through a written extension agreement, after written communication in advance / Η διάρκεια της υπογεγραμμένης Συμφωνίας-Πλαισίου θα είναι από την ημέρα έναρξης του συμβολαίου **έως τις 30 Ιουνίου 2021**, με **δυνατότητα επέκτασης για έξι (6) μήνες με τις ετήσιες τιμές προσφοράς να παραμένουν οι ίδιες**. Οποιαδήποτε επέκταση, θα εφαρμοστεί μέσω γραπτής συμφωνίας, μετά από γραπτή επικοινωνία εκ των προτέρων.

We acknowledge all terms and conditions of this ITQ reference to PR № :GR-THS-027-2021 Page | 1

(Stamp)	Duly authorized to sign the Quotation for and on behalf of  (Name, position) (Location, date) (Signature)
---------	---

Invitation to Quote (ITQ) FRAMEWORK AGREEMENT FOR 2021 - GENERAL  
MATERIAL - Purchase Requisition: GR-THS-027-2021

- List of requested items is provided in **Bid Form - Annex 1** (pages 7-15) / Η λίστα με τα ζητούμενα προϊόντα βρίσκεται στις **σελίδες 8-17** (Bid Form - Annex 1).
- **Partial offers will not** be considered / Προσφορές που **δεν** θα περιλαμβάνουν όλα τα ζητούμενα υλικά, δηλαδή θα είναι **ελλιπείς**, θα θεωρηθούν **άκυρες**.
- Delivery location: Diavata Open Center of Temporary Reception (**Former Anagnostopoulou Military camp, former Symmachiki Odos Oreokastrou, P.C.: 57008, Diavata, Thessaloniki**) / Διεύθυνση παραδόσεων: Ανοικτό Κέντρο Προσωρινής Υποδοχής Διαβατών (**Πρώην στρατόπεδο Αναγνωστοπούλου, πρώην Συμμαχική Οδός Ωραιοκάστρου, Τ.Κ.: 57008, Διαβατά, Θεσσαλονίκη**).
- Delivery terms: **On the ground inside** the above-mentioned address, within the camp / Οι παραδόσεις θα γίνονται **εντός της Δομής** στην παραπάνω διεύθυνση.
- All transportation costs and/or other admin costs shall be **included** in the offer / Όλα τα έξοδα μεταφοράς ή/και άλλα έξοδα, θα πρέπει να **περιλαμβάνονται** στην προσφορά.
- Desired Delivery of each individual order must be made within five (5) working days and only after the relevant purchase order of ASB, where the respective quantity of the products will be determined. In case the requested items are not available, supplier should provide a new estimated delivery date. / Η επιθυμητή παράδοση κάθε παραγγελίας θα πρέπει να εκτελείται μέσα σε πέντε (5) εργάσιμες ημέρες και μόνο κατόπιν του σχετικού αιτήματος αγοράς (purchase order) της ASB, όπου θα καθορίζεται η εκάστοτε ποσότητα της παραγγελίας. Σε περίπτωση μη διαθεσιμότητας των προϊόντων ο προμηθευτής θα πρέπει να υποδείξει εκ νέου τη δυνατή ημερομηνία παράδοσης.

**2. Questions/Clarifications Request:**

Should you have questions about this Invitation to Quote, please contact us via e-mail at [procurement@asb.gr](mailto:procurement@asb.gr).

**3. Invitation to Quote – Administration:**

**Response Deadline:**

- Quotations must be submitted as **hard copies in sealed envelope** at the following address: **15, Nikiforou Ouranou street, Porto Center, building C1, 4<sup>th</sup> floor, P.C.: 54627, Thessaloniki** / Οι προσφορές θα πρέπει να κατατίθενται σε **έντυπα αντίγραφα σε κλειστό φάκελο** στη διεύθυνση: **Νικηφόρου Ουρανού 15, Porto Center, κτήριο Γ1, 4<sup>ος</sup> όροφος, Τ.Κ.: 54627, Θεσσαλονίκη**.
- Please use the attached **Bid Form - Annex 1 (pages 8-17)** to submit your bid / Για να υποβάλετε την προσφορά σας, παρακαλούμε χρησιμοποιήσετε το επισυνημμένο έγγραφο **Bid Form - Annex 1 (σελίδες 8-17)**.

PLEASE, DO NOT USE YOUR OWN INDIVIDUAL FORMS / **ΠΑΡΑΚΑΛΟΥΜΕ ΜΗ ΧΡΗΣΙΜΟΠΟΙΕΙΤΕ ΔΙΚΕΣ ΣΑΣ ΦΟΡΜΕΣ ΥΠΟΒΟΛΗΣ ΠΡΟΣΦΟΡΩΝ**

We acknowledge all terms and conditions of this ITQ reference to PR № :GR-THS-027-2021 Page | 2

(Stamp)	Duly authorized to sign the Quotation for and on behalf of  (Name, position) (Location, date) (Signature)
---------	---

Invitation to Quote (ITQ) FRAMEWORK AGREEMENT FOR 2021 - GENERAL  
MATERIAL - Purchase Requisition: GR-THS-027-2021

- Quotations received after the stated deadline are considered invalid / Προσφορές που θα ληφθούν κατόπιν της προθεσμίας, θα θεωρηθούν **άκυρες**.
- Quotations received through other means, are also considered invalid / Προσφορές που θα ληφθούν με διαφορετικό τρόπο από αυτόν που υποδεικνύεται, επίσης θα θεωρηθούν **άκυρες**.

**4. Source Selection Criteria:**

Based on the **Lowest Price Technically Acceptable Source Selection Process**, an award will be made to the Bidder submitting the lowest evaluated price that meets or exceeds the technical acceptability standards while respecting determined delivery timelines. / Νικητής του διαγωνισμού θα είναι ο Προμηθευτής που θα υποβάλει τη χαμηλότερη αξιολογημένη τιμή και που θα πληροί τα απαιτούμενα τεχνικά χαρακτηριστικά, με βάση τη διαδικασία επιλογής προσφορών Χαμηλότερη Τιμή/Τεχνικά Αποδεκτή.

**5. Essential Qualifications**

- A registered company or companies.
- Not blacklisted according to EU-UN restrictive measures.
- Fulfilled obligations related to payment of social security and taxes.
- Not bankrupted or in the process of going bankrupt.
- Not been convicted for an offense concerning professional conduct.
- Not been guilty of grave professional misconduct (proven by any means which the contracting authorities can justify).
- Not been guilty of serious misinterpretation in supplying information.
- Not in a situation of conflict or potential conflict of interest with ASB Greece.
- Not declared a serious fault of implementation owing to a breach of our contractual obligations.
- Not employ personnel below the legal working age.
- Provide basic social rights and fair working conditions to our employees.
- Not on any list of sanctioned parties issued by the United States Government, United Nations and European Union.

**6. Quotation Validity:**

- The Quotation should be **valid for ninety (90) calendar days** from the ITQ due date. If this is not possible, please quote your best quote validity timeframe.
- The Quotation includes, but is not limited to cost, pricing, terms and conditions, service levels, and all other information. If your company is awarded the contract, all information in the ITQ and negotiation process is contractually binding.

**7. Submission instructions:**

- 7.1 Quotations must be submitted and include / Οι Προσφορές θα πρέπει περιλαμβάνουν και να κατατεθούν ως εξής:**

We acknowledge all terms and conditions of this ITQ reference to PR № :GR-THS-027-2021 Page | 3

(Stamp)	Duly authorized to sign the Quotation for and on behalf of  (Name, position) (Location, date) (Signature)
---------	---



Invitation to Quote (ITQ) FRAMEWORK AGREEMENT FOR 2021 - GENERAL  
MATERIAL - Purchase Requisition: GR-THS-027-2021

- a. As Hard Copies in Sealed Envelope at **15, Nikiforou Ouranou street, Porto Center, building C1, 4<sup>th</sup> floor, P.C.: 54627, Thessaloniki** / Σε έντυπα αντίγραφα σε κλειστό φάκελο στη διεύθυνση: **Νικηφόρου Ουρανού 15, Porto Center, κτήριο Γ1, 4<sup>ος</sup> όροφος, Τ.Κ.: 54627, Θεσσαλονίκη.**
- b. Tax Insurance Clearance / **Φορολογική Ενημερότητα**
- c. Social Insurance Clearance / **Ασφαλιστική Ενημερότητα**
- d. GEMI certificate/ **Βεβαίωση ΓΕΜΗ**
- e. **Financial bid** shall be submitted through **Bid Form - Annex 1 (pages 8-17)** / **Για να υποβάλετε την προσφορά σας, παρακαλούμε χρησιμοποιείτε το έντυπο Bid Form - Annex 1 (σελίδες 8-17).**
- f. **Deadline** for submission is **Friday, 3<sup>rd</sup> of March 2021, 16:00** EET Eastern European Time / Η προθεσμία υποβολής προσφορών είναι: **Παρασκευή, 3 Μαρτίου 2021, στις 16:00.**
- g. The document must be **signed** and **stamped** at the end of each page and sent in Pdf / Το παρόν έγγραφο θα πρέπει να **υπογραφεί** και **σφραγιστεί** σε κάθε σελίδα.

- **Partial offers will not** be considered / Προσφορές που **δεν** θα περιλαμβάνουν όλα τα ζητούμενα υλικά, δηλαδή θα είναι **ελλιπείς**, θα θεωρηθούν **άκυρες**.

7.2 To be eligible, Quotations must include / **Για να είναι έγκυρη η προσφορά σας, θα πρέπει να περιλαμβάνει:**

1. Acceptance of all terms and conditions of this ITQ by signing each page / **Αποδοχή των όρων του παρόντος εγγράφου, υπογράφοντας και σφραγίζοντας κάθε σελίδα.**
2. GEMI certificate / **Βεβαίωση ΓΕΜΗ**
3. Tax Insurance Clearance / **Φορολογική Ενημερότητα (έγκυρη).**
4. Social Insurance Clearance / **Ασφαλιστική Ενημερότητα (έγκυρη).**

**8. As a minimum, offers must show:**

- The ITQ reference number.
- The name, addresses (street, email, other), and telephone number of the Bidder.
- A detailed technical description/specification of the products being offered in enough detail to evaluate compliance with the requirements in the solicitation. This may include product literature, or other documents, if necessary.

**9. General Conditions**

- Individual businesses, as well as group of individual businesses represented by one business are eligible to apply.
- All Applicants will receive identical documents: No applicant should add, omit, or change any item, term or condition on original papers (Applicants who do not comply, will be disqualified).
- All prices must include all Taxes and shipping/delivery cost. ASB shall not be charged on any other basis than the ordered quantity and the unit prices of described items.
- If Applicants have any additional requests and conditions, these shall be stipulated in a separate letter accompanying their application.
- Each applicant may make one application only, either as an independent entity or as part of a group - Applications shall be made in writing, with prices calculated in Euro only, and be inclusive of all taxes and shipping costs.
- **Applicants cannot apply if they:**

We acknowledge all terms and conditions of this ITQ reference to PR № :GR-THS-027-2021 Page | 4

(Stamp)	Duly authorized to sign the Quotation for and on behalf of  (Name, position) (Location, date) (Signature)
---------	---

Invitation to Quote (ITQ) FRAMEWORK AGREEMENT FOR 2021 - GENERAL  
MATERIAL - Purchase Requisition: GR-THS-027-2021

- Are not registered companies.
- Are not registered for each operation they intend to provide (Chamber of Commerce codes).
- Are bankrupted or in the process of going bankrupt.
- Have been convicted for an offense concerning professional conduct.
- Have been guilty of grave professional misconduct (proven by any means which the contracting authorities can justify).
- Have not fulfilled obligations related to payment of social security and taxes.
- Are guilty of serious misinterpretation in supplying information.
- Are in situations of conflict or potential conflict of interest with ASB.
- Were declared at serious fault of implementation owing to a breach of their contractual obligations.

**10. Price offer**

You will find in the attached **Bid Form - Annex 1 (pages 8-17)** the requested products in the estimated amounts for the needs of whole 2021, for which your company is required to bid for:

- Prices **excluding VAT** and **in Euro (€)** / Οι τιμές της προσφοράς θα πρέπει να είναι **σε Ευρώ (€)** και **χωρίς Φ.Π.Α.**

**11. Payment Terms**

Payment terms being ten (10) working days from invoice receipt and signed Goods Received Note (GRN) by authorized ASB staff, at the location specified, and the supplier, with bank deposit /

**Τρόπος πληρωμής: εντός 10 εργάσιμων ημερών από την παράδοση του τιμολογίου και την υπογραφή του εγγράφου GRN (Goods Received Note), από το αρμόδιο προσωπικό της ASB και τον προμηθευτή. Πληρωμή μέσω τραπεζικού λογαριασμού.**

The Supplier must submit to ASB a copy of all the necessary documents and certifications required for the provision of the requested products according to Greek regulations and European directives (invoice, waybill).

**If any deviation on the above requested payment terms, please indicate otherwise in cell in page 21 / Εάν δεν αποδέχστε τους ανωτέρω όρους πληρωμής, παρακαλώ σημειώστε στο κελί στη σελίδα 21 τον τρόπο πληρωμής που εσείς επιθυμείτε.**

**12. Quality control**

**Defects; Warranty; Misc.**

- Arbeiter-Samariter-Bund has the right to inspect and test all supplies, equipment and services quantity and quality of delivery called for by the Contract, to the extent practicable, at all places and times, including the period of manufacture, seller's warehouse and in any event before acceptance. ASB GREECE shall perform inspections and tests in a manner that will not unduly delay the work. ASB GREECE assumes no contractual obligation to perform any inspection and test for the benefit of the Contractor.
- Arbeiter-Samariter-Bund shall inspect the items upon their delivery (if different not agreed) and provide written notice to Contractor as to any defects, non-conformities, or issues in Contractor's performance of its Contract obligations.
- Arbeiter-Samariter-Bund shall not be obliged to buy or pay for, and Arbeiter-Samariter-Bund may at any time after delivery reject, all or any part of a given delivery of goods and services that Arbeiter-Samariter-Bund

We acknowledge all terms and conditions of this ITQ reference to PR № :GR-THS-027-2021 Page | 5

(Stamp)	Duly authorized to sign the Quotation for and on behalf of  (Name, position) (Location, date) (Signature)
---------	---



**Invitation to Quote (ITQ) FRAMEWORK AGREEMENT FOR 2021 - GENERAL MATERIAL - Purchase Requisition: GR-THS-027-2021**

determines does not conform to the Contract, is defective in material or workmanship, or are otherwise not in conformity with the specifications in Contract. To the extent practicable, Arbeiter-Samariter-Bund will provide the reasons for rejecting said goods in writing.

- d) Contractor is exclusively liable for any defects in the items by Contractor, its agents, representatives, or subcontractors.

Contractor hereby agrees to indemnify Arbeiter-Samariter-Bund for any losses, damages or claims of any kind arising from such defects.

- e) No rights or obligations under any agreement with Arbeiter-Samariter-Bund may be assigned or subcontracted to any third party unless such assignment is pursuant to Arbeiter-Samariter-Bund' written consent.

- f) If items are being procured, Contractor shall make delivery to the specified destination by the due date stated or as otherwise agreed in writing by both parties. Any such stated due date is of the essence and the Contractor shall notify Arbeiter Samariter Bund promptly if it anticipates that delivery will not be on time.

Contractor shall incur all costs related to unauthorized early delivery or any late delivery.

**13. Terms and Conditions**

Issuance of this ITQ does not constitute an award commitment on the part of the Arbeiter- Samariter-Bund, nor does it commit Arbeiter-Samariter-Bund to pay for costs incurred in the preparation and submission of a bid.

By submitting the valid offer to this ITQ you accept to adhere to ITQ and Terms/Conditions. Arbeiter-Samariter-Bund may contact bidders to confirm contact person, address, bid amount and to confirm that the bid was submitted for this solicitation.

**14. False Statements in the Bid**

Bidders must provide full, accurate and complete information as required by this solicitation and its attachments. False statements in bids constitutes grounds for immediate termination of the agreement with vendor. Arbeiter-Samariter-Bund takes fraud, misstatements, falsification, manipulation, alteration of facts and/or documents very seriously and has a zero-tolerance policy and may choose to take legal action in case of misrepresented disclosures by Contractors.

**15. Conflict of Interest Disclosure**

Bidders must provide disclosure of any past, present or future relationships with any parties associated with the issuance, review or management of this solicitation and anticipated award. Failure to provide full and open disclosure may result in Arbeiter-Samariter-Bund having to reevaluate the selection of a potential Bidder.

**16. Right to Select/Reject**

Arbeiter-Samariter-Bund reserves the right to select and negotiate with those firms it determines, in its sole discretion, to be qualified for competitive proposals and to terminate negotiations without incurring any liability. Arbeiter-Samariter-Bund also reserves the right to reject any or all proposals received without explanation.

*We acknowledge all terms and conditions of this ITQ reference to PR № :GR-THS-027-2021* Page | 6

<p><i>(Stamp)</i></p>	<p>Duly authorized to sign the Quotation for and on behalf of</p>   <p><i>(Name, position) (Location, date) (Signature)</i></p>
-----------------------	--



Invitation to Quote (ITQ) FRAMEWORK AGREEMENT FOR 2021 - GENERAL MATERIAL - Purchase Requisition: GR-THS-027-2021

**17. Reserved Rights**

All ITQ responses become the property of Arbeiter-Samariter-Bund and Arbeiter-Samariter-Bund in its sole reserves the right discretion to:

- To disqualify any offer based on Bidder’s failure to follow solicitation instructions.
- To waive any deviations by Bidder from the requirements of this solicitation that in Arbeiter-Samariter-Bund’s opinion is considered not to be material defects requiring rejection or disqualification or where such a waiver will promote increased competition.
- Extend the time for submission of all ITQ responses after notification to all Bidders.
- Terminate or modify the ITQ process at any time and re-issue the ITQ to whomever Arbeiter-Samariter-Bund deems appropriate.
- Issue an award based on the initial evaluation of offers without discussion.
- Award only part of the activities in the solicitation or issue multiple awards based on solicitation activities.

We acknowledge all terms and conditions of this ITQ reference to PR No :GR-THS-027-2021 Page | 7

<i>(Stamp)</i>	Duly authorized to sign the Quotation for and on behalf of  <i>(Name, position) (Location, date) (Signature)</i>
----------------	--



Funded by the  
Asylum, Migration and  
Integration Fund of the  
European Union



IOM • OIM



Arbeiter-Samariter-Bund

Invitation to Quote (ITQ) FRAMEWORK AGREEMENT FOR 2021 - GENERAL  
MATERIAL - Purchase Requisition: GR-THS-027-2021

**Bid Form - Annex 1**

No.	Description & Specifications / Περιγραφή και Χαρακτηριστικά Προϊόντων	Unit of measurement/Μονά δα μέτρησης	Estimated Annual Quantity / Εκτιμώμενη Ετήσια Ποσότητα	Cost per Unit Excluding VAT (€) / Κόστος ανά μία Μονάδα μέτρησης Χωρίς Φ.Π.Α. (€)	Συνολικό Κόστος όλων των ζητούμενων Μονάδων μέτρησης Χωρίς Φ.Π.Α (€)
1	πόμολο πόρτας για εσωτερική εξωτερική χρήση, από αλουμινιο λευκό ματ, ζευγάρι / internal external door handle from aluminium, white mat	Pc	50		
2	σπανιολετα παραθύρου, Aluminium window handle	Pc	50		
3	Αεροπλανάκι παραθύρου, Aluminium window latch	Pc	50		
4	ΚΛΕΙΔΑΡΙΑ ΧΩΝΕΥΤΗ ΚΥΛΙΝΔΡΟΥ ΕΞΟΠΟΡΤΑΣ ΑΛΟΥΜΙΝΙΟΥ 35mm . ΚΕΝΤΡΟ 25, Lock from external aluminium door 35mm, 25mm center	Pc	100		
5	ΚΛΕΙΔΑΡΙΑ ΜΕΣΟΠΟΡΤΑΣ ΧΩΝΕΥΤΗ ΜΕ ΚΛΕΙΔΙ ΚΕΝΤΡΟ 40mm, Lock from internal door with key , 40mm center	Pc	100		
6	Αφαλός κύλινδρος πόρτας 70mm 35/35 με 3 κλειδιά. Navel for lock 70mm 35/35 with 3 keys.	Pc	150		
7	μεντεσεδες αυτακι Φ20, Hinge 20mm diameter	Pc	100		

We acknowledge all terms and conditions of this ITQ reference to PR № :GR-THS-027-2021 Page | 8

(Stamp)	Duly authorized to sign the Quotation for and on behalf of  (Name, position) (Location, date) (Signature)
---------	--





Funded by the  
Asylum, Migration and  
Integration Fund of the  
European Union



IOM • OIM



Arbeiter-Samariter-Bund

Invitation to Quote (ITQ) FRAMEWORK AGREEMENT FOR 2021 - GENERAL  
MATERIAL - Purchase Requisition: GR-THS-027-2021

8	Μεντεσές 8cmx 8cm απλοί Hinges 8cmx 8cm	Pc	100		
9	ΜΕΝΤΕΣΕΔΕΣ Μ-10ΡΡ Μεντεσές εξωτερικός κουμπωτός. Camera Europa. M-10PR Hinge external clip M-10PR	Pc	50		
10	ΠΟΜΟΛΑ ΖΕΥΓΑΡΙ ΑΝΟΙΓΟΜΕΝΗΣ ΠΟΡΤΑΣ ΑΛΟΥΜΙΝΙΟΥ ΛΕΥΚΑ, Pair of door handle for aluminium opening door white	Pc	50		
11	ΡΟΖΕΤΑ ΚΥΛΙΝΔΡΟΥ ΠΟΡΤΑΣ ΑΛΟΥΜΙΝΙΟΥ ΛΕΥΚΗ. Rossete of aluminium door lock white	Pc	50		
12	ΠΟΜΟΛΑ ΡΟΖΕΤΑ ΖΕΥΓΑΡΙ ΕΣΩΤΕΡΙΚΗΣ ΠΟΡΤΑΣ., Pair of handle and rossete of internal door.	Pc	50		
13	ΡΟΖΕΤΑ ΚΛΕΙΔΙΟΥ ΕΣΩΤΕΡΙΚΗΣ ΠΟΡΤΑΣ. , Rossete of internal door lock.	PC	50		
14	χερούλια πόρτας εσωτερικής γαλβάνιζε door handle galvanized	Pc	80		
15	ΛΟΥΚΕΤΑ ΜΑΚΡΥΛΑΙΜΑ 30μμΧ5μμΧ64μμΧ14μμ με 3 κανονικά κλειδιά, Padlocks long neck 30mmΧ5mmΧ64mmΧ14mm with 3 normal keys	Pc	50		

We acknowledge all terms and conditions of this ITQ reference to PR № :GR-THS-027-2021 Page | 9

<i>(Stamp)</i>	Duly authorized to sign the Quotation for and on behalf of  <i>(Name, position) (Location, date) (Signature)</i>
----------------	--



Funded by the  
Asylum, Migration and  
Integration Fund of the  
European Union



IOM • OIM



Arbeiter-Samariter-Bund

Invitation to Quote (ITQ) FRAMEWORK AGREEMENT FOR 2021 - GENERAL  
MATERIAL - Purchase Requisition: GR-THS-027-2021

16	ΛΟΥΚΕΤΑ ΜΑΚΡΥΛΑΙΜΑ 50μμΧ7μμΧ64μμΧ25μμ με 3 κανονικά κλειδιά. Padlocks long neck 50mmΧ7mmΧ64mmΧ25mm with 3 normal keys	Pc	30		
17	Λουκέτα απλά 50 mm με 3 κανονικά κλειδιά. simple locks 50mm with 3 normal keys	Pc	40		
18	Λουκέτα απλά simple locks 70 mm με 3 κανονικά κλειδιά. Simple padlocks 70 mm with 3 normal keys	Pc	50		
19	ΛΟΥΚΕΤΑ ΤΑΚΟΣ 80mm, 10mm πύρο, με 3 κανονικά κλειδιά. Padlocks rectangular 80mm 10mm bolt with 3 normal keys	Pc	50		
20	Γωνίες στήριξης λουκέτου μήκος βίδας 80mm. Padlock placement angles , bolt length 80mm	Pc	30		
21	κρικοι με μπουλόνι M8 Χ50 . Bolt with round rings M8Χ50	Pc	50		
22	νοβοπανοβιδες φ5.0 χ 20 χιλιοστα φρεζάτη (κουτί 1000τμχ) Woodscrew F5Χ20mm cone head ( box 1000pcs)	Box	5		
23	νοβοπανόβιδες Φ 6 Χ 40μμ (κουτί 500τμχ) Woodscrew F6Χ40mm cone head ( box 500pcs)	Box	5		
24	βυσματα γυψοσανιδας σπαστά πλαστικά κουτί 100τμχ. Plasterboard fixings plastic (box 100Pcs)	Box	10		

We acknowledge all terms and conditions of this ITQ reference to PR № :GR-THS-027-2021

Page | 10

(Stamp)	Duly authorized to sign the Quotation for and on behalf of  (Name, position) (Location, date) (Signature)
---------	---



Funded by the  
Asylum, Migration and  
Integration Fund of the  
European Union



IOM • OIM



Arbeiter-Samariter-Bund

Invitation to Quote (ITQ) FRAMEWORK AGREEMENT FOR 2021 - GENERAL  
MATERIAL - Purchase Requisition: GR-THS-027-2021

25	Αυτοδιατρίτες λαμαρινοβίδες σταυρου 4,2mm X 19 κουτί 1000τμχ tapping cross screws 4.2mmX 19 1000pcs box	Box	10		
26	Εξαγωνες αυτοδιατρίτες βίδες 6,3x25mmhexagon self tapping screws 6,3x25mm	Box	10		
27	Βυσματα ουπατ Νο8 κουτί 100 τμχ. Nylon plugs Νο8 box 100 pcs	Box	10		
28	Ξυλοβίδα 4X30mm κουτί 1000 τμχ. wood screw 4X30mm box 1000pcs	Box	10		
29	Βυσματα ουπατ Νο6 κουτί 100 τμχ. Nylon plugs Νο6 box 100pcs	Box	10		
30	Ξυλοβίδα 6X70κουτί 250τμχ. wood screw 6x70mm box 250pcs	Box	10		
31	δισκος κοπής μπετου φ230, Concrete cutting disc ND230	Pc	5		
32	δισκος δισκοπριονου φ184, Wood cutting disc DN184	Pc	10		
33	Δίσκος κοπής inox 115mmx22x1.0inox cutting disks 115mmx22x1.0mm	Pc	200		
34	Δίσκος κοπής inox 125mmx22x1.0inox cutting disks 125mmx22x1.0mm	Pc	200		
35	Δίσκος κοπής inox 230mmx22x1.0inox cutting disks 230mmx22x1.0mm	Pc	30		
36	Δισκος κοπής μπετου 125mmx22x1.0concrete cutting disks 125mmx22x1.0mm	Pc	20		

We acknowledge all terms and conditions of this ITQ reference to PR № :GR-THS-027-2021

Page | 11

(Stamp)	Duly authorized to sign the Quotation for and on behalf of
(Stamp)	(Name, position) (Location, date) (Signature)



Funded by the  
Asylum, Migration and  
Integration Fund of the  
European Union



IOM • OIM



Arbeiter-Samariter-Bund

Invitation to Quote (ITQ) FRAMEWORK AGREEMENT FOR 2021 - GENERAL  
MATERIAL - Purchase Requisition: GR-THS-027-2021

37	λαστιχο ποτισματος κήπου 1/2" / garden hose 1/2"	meter	100		
38	λαστιχο ποτισματος κήπου 3/4" / garden hose 3/4"	meter	100		
39	σωλήνας σπιράλ Φ16 αποχέτευσης κλιματιστικού /spiral hose DN16, for AC drainage	meter	100		
40	Τσιμέντο 25kgCement 25 kg	bag	5		
41	Τσιμέντο 50kgCement 50 kg	bag	5		
42	Άμμοχαλικο σακί Bag mix gravel Sand	big bag	5		
43	Άμμος Τσιμεντοκοινίας 1 m3 (Big Bag)Sand 1m3 (Big Bag)	big bag	5		
44	Πλαστικό Δάπεδο 2μ πλτατος 2,7mm Plastic Flooring	sq. meter	40		
45	Γυψοσανίδα ανθυγρή 2.5x1.2m 12.5mm plasterborad waterproof	Pc	20		
46	Συρμα γαλβανιζέ 0.8μμ , Galvanised wire 0.8mm	Kgr	50		
47	Συρμα γαλβανιζέ 2.2μμ , Galvanised wire 2.2mm	Kgr	50		
48	Συρνατοσχοινο 2μμ, Wire rope 2mm	meter	100		

We acknowledge all terms and conditions of this ITQ reference to PR № :GR-THS-027-2021

Page | 12

(Stamp)	Duly authorized to sign the Quotation for and on behalf of  (Name, position) (Location, date) (Signature)
---------	---



Funded by the  
Asylum, Migration and  
Integration Fund of the  
European Union



IOM • OIM



Arbeiter-Samariter-Bund

Invitation to Quote (ITQ) FRAMEWORK AGREEMENT FOR 2021 - GENERAL  
MATERIAL - Purchase Requisition: GR-THS-027-2021

49	σφυκτηρας συρματοσχοινο, Wire rope clamp 2μμ	Pc	100		
50	Συρματοπλεγμα ρολό 2.2mm, 50X50, 2m ύψος X 25μ μήκος, Wireframe roll 2.2mm thick 50X50mm , 2m height, 25m length	Roll	10		
51	νεφτι 4λτ, turpentine 4λ	Pc	10		
52	αντισκωριακο 400ml, Anti rust spray multipurpose 400ml	Pc	10		
53	πολυεστερας 2 συστατικων 1 kgr με καταλύτη, 2 ingredient polyester with stabiliser	Pc	5		
54	Τσέρκι Metal tapes 12 X 0.7 X 5 10μ	Pc	10		
55	ΑΦΡΟΣ ΠΟΛΥΟΥΡΕΘΑΝΗΣ χαμηλης διογκωσης πιστολιού 750ml POLYURETHAN FOAM low volume pistol 750ml	Pc	10		
56	Καθαριστικό πιστολιού αφρού πολυουρεθάνης 500ml, Pistol cleaner for polyourethane foam 500ml	Pc	10		
57	καθαριστικό υγρό A/C A / C cleaner fluid 1lt	Pc	10		
58	Ηλεκτρόδια 2.5μμ welding electrodes 2.5mm 4kgr pack	Pack	10		
59	Βενζινόκολλα θερμοκρασίας 500ml Gasoline glue temperature 500ml	Pc	10		

We acknowledge all terms and conditions of this ITQ reference to PR № :GR-THS-027-2021

Page | 13

(Stamp)	Duly authorized to sign the Quotation for and on behalf of  (Name, position) (Location, date) (Signature)
---------	---



Funded by the  
Asylum, Migration and  
Integration Fund of the  
European Union



IOM • OIM



Arbeiter-Samariter-Bund

Invitation to Quote (ITQ) FRAMEWORK AGREEMENT FOR 2021 - GENERAL  
MATERIAL - Purchase Requisition: GR-THS-027-2021

60	Λάμα 50 x 3 mm 4μ μήκους Iron bar 50 x 3 mm 4 μ long	Pc	10		
61	Σιλικόνη Διάφανη Transparent Silicon 280ml	Pc	50		
62	Σιλικόνη αντιμολυσματική μπάνιου. Transparent Silicon 280ml	Pc	50		
63	Χαρτοταινία 5εκ. Paper tape 5 cm.	Pc	50		
64	Αλυσίδα γαλβανιζέ μακρύς χαλκάς 4μμ (Κουλούρα 20κιλών). Galvanised chain long hook 4mm ( 20kgr roll)	Roll	2		
65	Αλυσίδα γαλβανιζέ μακρύς χαλκάς 6μμ (Κουλούρα 20κιλών). Galvanised chain long hook 6mm ( 20kgr roll)	Roll	2		
66	Αλυσίδα γαλβανιζέ μακρύς χαλκάς 6μμ (Κουλούρα 20κιλών). Galvanised chain long hook 6mm ( 20kgr roll)	Roll	2		
67	Μηχανισμός επαναφοράς εξωτερικής πόρτας αλουμινίου ελαφρού τύπου. Return mechanism light duty for external aluminium door.	Pc	20		
68	Φλάντζε φίμπερ περμανίτη έως 180οC 1/2". Fiber flange up to 180οC 1/2".	Pc	50		
69	Φλάντζε φίμπερ περμανίτη έως 180οC 1". Fiber flange up to 180οC 1".	Pc	50		
70	Φλάντζε φίμπερ περμανίτη έως 180οC 13/4". Fiber flange up to 180οC 13/4".	Pc	50		

We acknowledge all terms and conditions of this ITQ reference to PR № :GR-THS-027-2021

Page | 14

(Stamp)	Duly authorized to sign the Quotation for and on behalf of  (Name, position) (Location, date) (Signature)
---------	---



Funded by the  
Asylum, Migration and  
Integration Fund of the  
European Union



IOM • OIM



Arbeiter-Samariter-Bund

Invitation to Quote (ITQ) FRAMEWORK AGREEMENT FOR 2021 - GENERAL  
MATERIAL - Purchase Requisition: GR-THS-027-2021

71	Φλάντζε φίμπερ περμανίτη έως 180οC 1 1/4". Fiber flange up to 180οC 1 1/4".	Pc	30		
72	Φλάντζε φίμπερ περμανίτη έως 180οC 1 1/2". Fiber flange up to 180οC 1 1/2".	Pc	30		
73	Φλάντζε φίμπερ περμανίτη έως 180οC 2". Fiber flange up to 180οC 2".	Pc	20		
74	ΣΥΡΤΕΣ ΑΛΟΥΜΙΝΙΟΥ 10cm ΕΝΙΣΧΥΜΕΝΟ ΠΥΡΟ ΔΙΑΜΕΤΡΟΥ 7mm. Aluminium latch 10cm reinforced bolt 7mm diameter.	Pc	80		
75	Πλεξιγκλας παχος 3mm παχος χ μηκος 100cm χ πλατος 50cm , Plexiglass mm thick X 100cm X 50cm	Pc	2		
76	Πινελα βαψιματος πλαστικη λαβη 1" , Paintbrush 1"	Pc	20		
77	Γαντια νυτριλιου χωρις πουδρα κουτι 100τμχ , Nitrile gloves without powder, box 100 ocs	box	60		
78	Λαμα σιδεροπριονου μονης κοπης 30cm , Metal saw blade single cut 30cm	Pc	10		
79	Γαζα ρογμων για γυψοσανιδα 48mm χ 20m , Crack bandage for plasterboard repair 48mm X 20m	Pc	2		
80	Γυψος knauf 1kg , Plaster 1 kgr	Pc	10		
81	Γαντια μακρυα pvc μηκος 65cm , Long gloves PVC 65cm	Pair	4		

We acknowledge all terms and conditions of this ITQ reference to PR № :GR-THS-027-2021

Page | 15

(Stamp)	Duly authorized to sign the Quotation for and on behalf of  (Name, position) (Location, date) (Signature)
---------	---



Funded by the  
Asylum, Migration and  
Integration Fund of the  
European Union



IOM • OIM



Arbeiter-Samariter-Bund

Invitation to Quote (ITQ) FRAMEWORK AGREEMENT FOR 2021 - GENERAL  
MATERIAL - Purchase Requisition: GR-THS-027-2021

82	Στριφωνια M6 X 7cm, Coach screws M6 X 7cm	Pc	100		
83	Στριφωνια M8 X 7cm, Coach screws M8 X 7cm	Pc	100		
84	Στριφωνια M10 X 7cm, Coach screws M10 X 7cm	Pc	100		
85	Σφυκτηρακια για λαστιχο 1/2" ελαφρου τυπου, 1/2" hose clamps, light duty	Pc	100		
86	Στρωτηρες για γυψοσανιδα 50mm x 40mm x 3000mm , Plasterboard metal fixing 50mmX40mmX3000mm	Pc	15		
87	Ορθοστατες για γυψοσανιδα 50mm x 50mm x 3000mm , Vertical plasterboard metal fixings 50mm X 50mm X3000mm	Pc	15		
88	Βιδες για γυψοσανιδες 3,5mm x 25mm , plasterboard screws 3.5mm X 25mm	Pc	1000		
89	Βιδες για γυψοσανιδες 3,5mm x 25mm αυτοδιάρτητες , plasterboard screws 3.5mm X 25mm self drill	Pc	1000		
90	Πλεγμα μπετου T139 5m x 2,15m x 4,2mm, Iron grid for concrete armor T139 5mX2.15mX4.2mm	Pc	10		
91	Σοβατεπι πλαστικο pvc υψος 7cm-παχος 2mm χρωμα γκρι , Floor skirting board plastiv pvc 7cm height 2mm thicnkess grey	meter	100		

We acknowledge all terms and conditions of this ITQ reference to PR № :GR-THS-027-2021

Page | 16

(Stamp)	Duly authorized to sign the Quotation for and on behalf of  (Name, position) (Location, date) (Signature)
---------	---





Funded by the  
Asylum, Migration and  
Integration Fund of the  
European Union



IOM • OIM



Arbeiter-Samariter-Bund

Invitation to Quote (ITQ) FRAMEWORK AGREEMENT FOR 2021 - GENERAL  
MATERIAL - Purchase Requisition: GR-THS-027-2021

92	Μπασκία για πορτες ασπρα 6cm x 225cm , door frame white 6cm X 225cm	meter	100		
93	Ντιζες 12mm x 1m , Bolt M12 X1m	Pc	10		
94	Παξιμαδια M12 , Nuts M12	Pc	100		
95	Αλουμινοταινια 50mm x 50m, Aluminium tape 50mm X50m	Pc	5		

**Total cost of offer excluding VAT/Συνολικό κόστος προσφοράς χωρίς ΦΠΑ →**

We acknowledge all terms and conditions of this ITQ reference to PR № :GR-THS-027-2021

Page | 17

(Stamp)	Duly authorized to sign the Quotation for and on behalf of  (Name, position) (Location, date) (Signature)
---------	---



Invitation to Quote (ITQ) FRAMEWORK AGREEMENT FOR 2021 - GENERAL MATERIAL - Purchase Requisition: GR-THS-027-2021

**Annex 2 – Privacy statement for Procurement**

**Privacy statement for processing of personal data within the implementation of the public procurement procedures organized by ASB Greece**

The processing of personal data by the ASB Greece for the purpose of implementing procurement procedures is subject to Regulation (EU) 2016/679 ('the Regulation' or 'the GDPR'). This is a specific privacy notice on personal data protection in relation to the processing of information by ASB Greece<sup>1</sup> as part of a public procurement exercise in order to evaluate the proposals received in response to a call for quotation/tender referring to exclusion and award criteria set out in the Invitation to Tender (ITT) documents or Invitation to Quote (ITQ) documents and to award the contract to the best candidate who meets minimum standards required and submits the most economically advantageous quotation/tender in terms of quality/price evaluation.

**Controller**

ASB Greece processes personal data in accordance with Data Protection Legislation namely the GDPR and any applicable national implementing Laws as amended from time to time. Procurement processing operations are under the responsibility of the Controller, ASB Greece.

**Description of processing operations and recipients**

ASB Greece organizes and launches procurement procedures through calls for tender. The largest part of tendering procedures has been either low value negotiated procedures or open tendering procedures. ASB Greece may decide to launch restricted procedures, if needed. Those calls involve evaluation of submitted offers which are sent by bidders according to a set of criteria.

In principle, ASB Greece collects the needed data on the last day for the submission of the offers. Exceptionally, those data are collected at a later stage if any document is missing.

**Categories of personal data**

The following categories of personal data are collected from the data subject and processed:

- Name
- Nationality

<sup>1</sup> When on occasion ASB Greece commissions a third party, such as a consultant to assist with the procurement process their appointment will be subject to contractual obligations including confidentiality and data protection in respect of processing personal information. When ASB Greece collaborates with other Authorities or Shared Service providers for joint procurements, all parties involved in the process will be subject to the same confidentiality and data protection obligations as laid out in this Privacy Notice.

(Stamp)	Duly authorized to sign the Quotation for and on behalf of  (Name, position) (Location, date) (Signature)
---------	---



**Invitation to Quote (ITQ) FRAMEWORK AGREEMENT FOR 2021 - GENERAL MATERIAL - Purchase Requisition: GR-THS-027-2021**

- Gender
- VAT number
- Contact details
- Work experience
- Education
- Trainings
- Academic background
- Language and technical skills
- Date of birth
- Reference number of Passport or ID card
- Bank account details
- Financial turnover/accounts
- CV's of staff proposed for the provision of the goods/services/works
- Responses to questions as set out in a Standard Selection or Suitability Questionnaire of the ITT or ITQ on such matters including (but not limited to) Professional misconduct/Criminal Activity/Criminal Record/Health and Safety Records
- Evidence of the payment of social taxes

**Purpose**

The purpose of the processing is to use the various information in order to evaluate the proposals received in response to a call for quotation/tender referring to exclusion and award criteria as set out in the ITT or ITQ documentation and award the contract to the best candidate in terms of the most economically advantageous submission based on quality/price.

**Recipients of personal data**

Without prejudice to a possible transmission to the bodies in charge of a monitoring or inspection task in accordance with European Union/Greek law, internally, at ASB Greece, the procurement officer, the project manager of each tendering procedure, the members of the selection & evaluation panel(s), the DPO if needed, have access to those data. Externally, the European Commission, OLAF, internal audits, European Courts and local Greek courts and the candidates who have been unsuccessful; (for the cases of litigation) may have access to those data.

In case you are awarded a contract by ASB Greece, your personal information may be made public, in accordance with ASB Greece's obligation to publish information on the outcome of the procurement procedure and spend.

**How do we protect and safeguard your information?**

Documents received from bidders are held securely within ASB Greece with access rights limited to named personnel who are involved in opening and evaluation and award only.

*We acknowledge all terms and conditions of this ITQ reference to PR № :GR-THS-027-2021* Page | 19

<i>(Stamp)</i>	<p>Duly authorized to sign the Quotation for and on behalf of</p>   <p><i>(Name, position) (Location, date) (Signature)</i></p>
----------------	--



**Invitation to Quote (ITQ) FRAMEWORK AGREEMENT FOR 2021 - GENERAL MATERIAL - Purchase Requisition: GR-THS-027-2021**

Any documents that need to be downloaded are stored on a secure server on a drive with dedicated folders accessible to staff conducting the procurement and evaluation of tenders only. Any physical files are stored in a lockable filing cabinet within ASB Greece with restricted access rights.

**Exercise of data subject rights**

You have the right to access, update or correct your personal data and have them rectified. The right of rectification is obviously limited to the factual data after the award for reasons of transparency and equal treatment. Any such requests will be dealt with within 30 working days. Any correction of your personal information will be taken into consideration from the data protection point of view. The exercise of this right is guaranteed through the possibility to reach either the Controller or the Data Protection Officer.

**Legal basis and lawfulness of the processing operations**

The legal basis of the processing operations is Article 6 para. Lit.B. and f. GDPR.

**Retention periods**

Your data will be stored at ASB Greece for maximum seven years in case of data of the successful bidder and for five years in case of data of the unsuccessful tenderers. This retention period is needed for auditing purposes and for the case of appeals and litigation.

Regardless of whether the bidder is successful or not, any extracts from the judicial records will be kept by ASB Greece for up to two years as of the day of the award decision.

Your data will not be kept from ASB Greece after the end of the above-mentioned retention periods.

**Information to data subjects**

The permanent publication of this privacy statement on ASB Greece website shall be deemed as information to the data subjects about their rights. This privacy statement, as of the day of its approval by the Administrative Manager, will have to be included also in all invitations to tender launched by ASB Greece.

**Contact information**

Should bidders have any queries or wish to complain about how we process your personal information, please address them in writing to the Controller at info(at)asb.gr.

You also have the right to complain to the Hellenic Data Protection Authority, at: Hellenic Data Protection Authority, Kifisias Avenue 1-3, 115 23 – Athens, e-mail: complaints@dpa.gr, FAX: +30 210 6475628.

<i>(Stamp)</i>	Duly authorized to sign the Quotation for and on behalf of  <i>(Name, position) (Location, date) (Signature)</i>
----------------	--



Funded by the  
Asylum, Migration and  
Integration Fund of the  
European Union



IOM • OIM



Arbeiter-Samariter-Bund

Invitation to Quote (ITQ) FRAMEWORK AGREEMENT FOR 2021 - GENERAL  
MATERIAL - Purchase Requisition: GR-THS-027-2021

**Vendor's Participation**

Submission of all requested documents as per paragraph 7.2 / Υποβολή όλων των απαιτούμενων: YES / NO

Quotation validity / Ισχύς προσφοράς: ..... days / ημέρες

Availability in case of assignment / Διαθεσιμότητα προϊόντων σε περίπτωση ανάθεσης:

Payment terms / Όροι πληρωμής\*:

Comments / Σχόλια:

\*Σε περίπτωση που δεν συμφωνείτε με τους προτεινόμενους όρους πληρωμής της ASB (10 μέρες από την παράδοση και την υπογραφή της βεβαίωσης παραλαβής GRN μέσω τραπεζικής κατάθεσης) παρακαλώ να σημειώσετε τον τρόπο πληρωμής που επιθυμείτε.

We acknowledge all terms and conditions of this ITQ reference to PR № :GR-THS-027-2021

Page | 21

(Stamp)	Duly authorized to sign the Quotation for and on behalf of  (Name, position) (Location, date) (Signature)
---------	---



Funded by the  
Asylum, Migration and  
Integration Fund of the  
European Union



## Contents

Scope of Work – Technical Analysis.....	23
General .....	23
Relevant Procurement request .....	23
General terms of the work .....	23
Legal frame .....	24
Site Safety Rules .....	24
Articles of works .....	24
1. Lock from external aluminium door 35mm, 25mm center .....	25
2. Lock from internal door with key , 40mm center .....	26
3. Aluminium window handle.....	26
4. Padlock placement angles , bolt length 80mm.....	28
Τεχνική περιγραφή .....	29
Γενικά.....	29
Σχετική ζήτηση προμήθειας .....	30
Γενικοί όροι.....	30
Νομικό πλαίσιο.....	30
Κανόνες ασφαλείας δομής.....	30
Άρθρα εργασιών.....	31
1. ΚΛΕΙΔΑΡΙΑ ΧΩΝΕΥΤΗ ΚΥΛΙΝΔΡΟΥ ΕΞΩΠΟΡΤΑΣ ΑΛΟΥΜΙΝΙΟΥ ΜΕ ΓΛΩΣΣΑ ΚΕΝΤΡΟ 25mm.....	31
2. ΚΛΕΙΔΑΡΙΑ ΜΕΣΟΠΟΡΤΑΣ ΧΩΝΕΥΤΗ ΜΕ ΚΛΕΙΔΙ ΚΕΝΤΡΟ 40mm.....	32
3. ΠΟΜΟΛΟ-ΣΠΑΝΙΟΛΕΤΑ ΑΝΟΙΓΟΜΕΝΟΥ ΠΑΡΑΘΥΡΟΥ ΑΛΟΥΜΙΝΙΟΥ ΓΙΑ CAMERA EUROPA .....	33
4. Γωνίες στήριξης λουκέτου μήκος βίδας 80mm .....	34



Funded by the  
Asylum, Migration and  
Integration Fund of the  
European Union



---

## Scope of Work – Technical Analysis

### General

Arbeiter Samariter Bund Deutschland e.V (ASB) started its activities in Greece in March 2016, focusing on the provision of Humanitarian Aid to refugees/migrants. Between 2016 and 2018 the ASB implemented two major projects funded by the European Union (DG ECHO) and the German Federal Foreign Ministry. In 2017 the ASB built the technical facilities and shelters for the Long - Term Accommodation Centre (LTAC) of Diavata and in 2018, ASB acquired four accommodation sites in the Epirus Region (Katsikas, Filippiada, Doliana and Konitsa).

In 2019, the ASB with the funding of the Directorate - General for Migration and Home Affairs of the European Union (DG HOME) and in coordination with the International Organisation for Migration (IOM) implemented the "Improving the Greek Reception System Through Site Management Support and Targeted Interventions in Long - Term Accommodation Sites" project for the sites of Diavata, Filippiada, Katsikas and Doliana.

In 2020 the ASB implemented the Program "Supporting the Greek Authorities in Managing the National Reception System for Asylum Seekers and Vulnerable Migrants (SMS)", for the LTAC of Diavata (Thessaloniki region), Katsikas, Filippiada, Doliana and continues it into 2021 as a no cost extension in the LTAC of Agia Eleni.

In 2021 the ASB is also implementing the Program "SMS 2021 - Assisting the Greek authorities in the management of the Reception System" in the camps of Diavata, Filippiada, Katsikas, and Doliana with the funding of DG HOME and in coordination with IOM.

The ASB country office is based in Thessaloniki, while the Epirus regional office is in Ioannina

### Relevant Procurement request

210215-PR- GR-THS-027-2021

### General terms of the work

The following technical analysis of work is designed to set the appropriate standards and the technical attributes for the purchase of general hardware material for Diavata camp for 2021.

The supplier will have to inform WASH/Shelter Officer at least one day before for each visit to the site , and provide the names of the visitors as well as the license plates of any vehicles.

### Activities and Services to be provided:

All the works must be done according to Greek Laws and Decrees, and regulations for the prevention of accidents.



Funded by the  
Asylum, Migration and  
Integration Fund of the  
European Union



## Legal frame

ΠΔ 778/1980 «Safety Measures for building construction works »

ΠΔ 1396/1983 « Obligations for safety measures»

ΠΔ 305/1996 «Minimum standards for health and safety in any construction site»

## Site Safety Rules

All vehicles are not allowed to travel faster than 10 km/h inside the camp.

All vehicle's drivers will make sure that no children are playing around the vehicle. If the drivers experience difficulties in controlling children while operating the truck process s/he must **inform ASB of his difficulties immediately**

The contractor will be the sole responsible for the safety of his personnel. He will have to have a contract with a licensed Health and safety engineer.

The contractor should keep all the relevant protective measures , against the spread of COVID-19, according to the updated relevant legislation. Also the contractor should provide all the necessary protective equipment to his/ her staff in order to be able to perform their job safely regarding COVID-19. The contractor should by no means, deny providing any services, setting as a reason the COVID pandemic or more particularly possible positive cases inside the camp. The services must continue in adherence to the governmental measures imposed at a local or national level. No modification in price or terms of this SoW is justified, from any possible developments regarding COVID.

## Articles of works

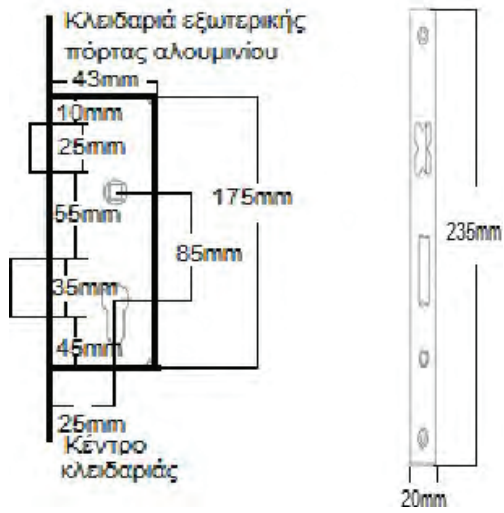
Below there are the technical characteristics in detail for all the material that a more detailed description is needed .

### 1. Lock from external aluminium door 35mm, 25mm centre





Funded by the  
Asylum, Migration and  
Integration Fund of the  
European Union



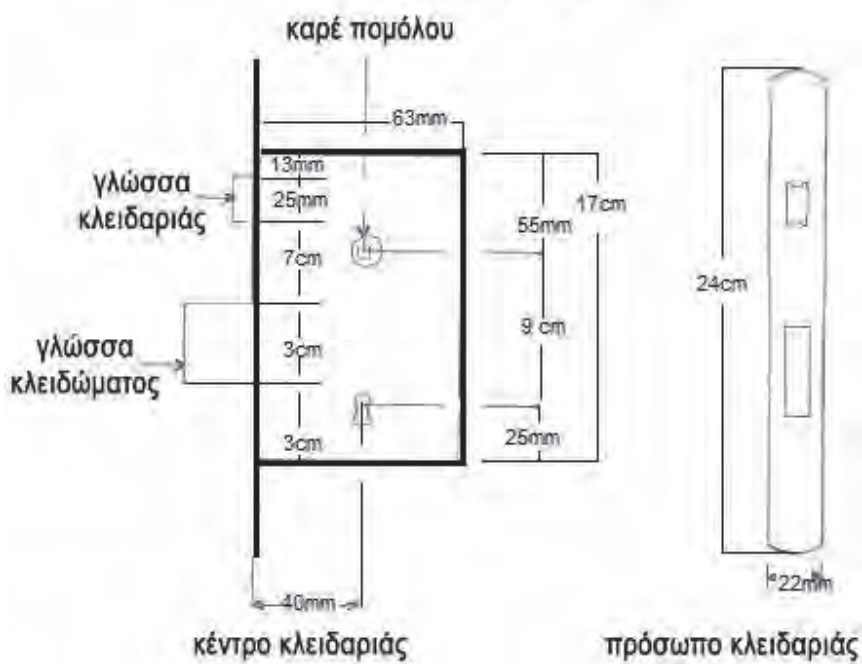


Funded by the  
Asylum, Migration and  
Integration Fund of the  
European Union



## 2. Lock from internal door with key , 40mm center

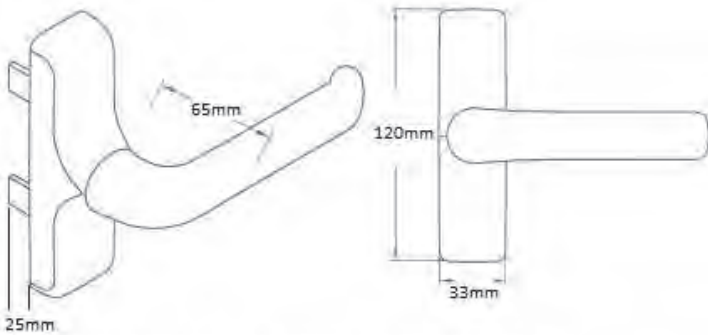
### ΚΛΑΣΣΙΚΗ ΚΛΕΙΔΑΡΙΑ ΧΩΝΕΥΤΗ ΜΕ ΚΛΕΙΔΙ ΜΕΣΟΠΟΡΤΑΣ



## 3. Aluminium window handle



Funded by the  
Asylum, Migration and  
Integration Fund of the  
European Union



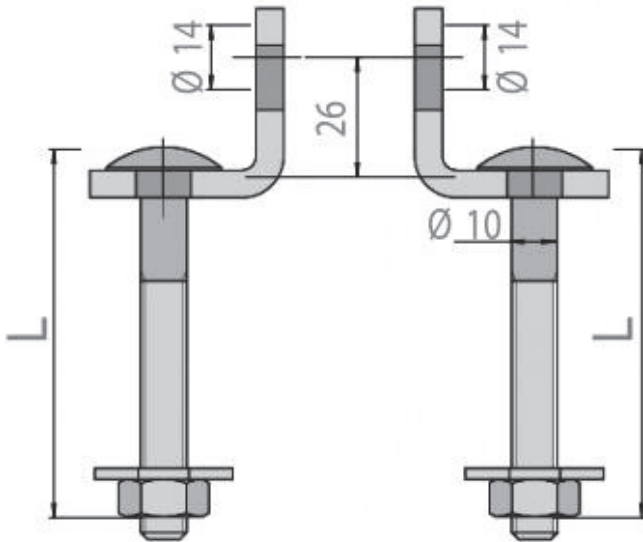
ΠΟΜΟΛΟ-ΣΠΑΝΙΟΛΕΤΑ ΑΝΟΙΓΟΜΕΝΟΥ ΠΑΡΑΘΥΡΟΥ  
ΑΛΟΥΜΙΝΙΟΥ



Funded by the  
Asylum, Migration and  
Integration Fund of the  
European Union



#### 4. Padlock placement angles , bolt length 80mm





Funded by the  
Asylum, Migration and  
Integration Fund of the  
European Union



## Τεχνική περιγραφή

### Γενικά

Η ASB ξεκίνησε τις δραστηριότητές της στην Ελλάδα το Μάρτιο του 2016, εστιάζοντας στην παροχή Ανθρωπιστικής Βοήθειας σε πρόσφυγες/ μετανάστες. Από το 2016 έως το 2018 η ASB υλοποίησε δύο σημαντικά προγράμματα χρηματοδοτούμενα από την Ευρωπαϊκή Ένωση (DG ECHO) και το Γερμανικό Υπουργείο Εξωτερικών. Το 2017 Η ASB κατασκεύασε τις εγκαταστάσεις και τους οικίσκους στο κέντρο φιλοξενίας προσφύγων στα Διαβατά και το 2018, ανέλαβε 4 δομές φιλοξενίας στην περιοχή της Ηπείρου (Κατσικάς, Φιλιπιάδα, Δολιανά και Κόνιτσα).

Το 2019, η ASB με τη χρηματοδότηση της Ευρωπαϊκής Ένωσης (DG HOME) και σε συντονισμό με το Διεθνή Οργανισμό Μετανάστευσης (ΔΟΜ) υλοποίησε το πρόγραμμα “ Improving the Greek Reception System Through Site Management Support and Targeted Interventions in Long - Term Accommodation Sites” στις δομές των Διαβατών, Φιλιπιάδας, Κατσικά και Δολιανών.

Το 2020 η ASB υλοποίησε το Πρόγραμμα “Supporting the Greek Authorities in Managing the National Reception System for Asylum Seekers and Vulnerable Migrants (SMS)”, στις δομές των Διαβατών (περιοχή Θεσσαλονίκης), Κατσικά, Φιλιπιάδας, Δολιανών και συνεχίζει να υλοποιεί το ίδιο πρόγραμμα το 2021 στη δομή της Αγίας Ελένης στα Ιωάννινα.

Το 2021 η ASB υλοποιεί επίσης το πρόγραμμα “SMS 2021 - Assisting the Greek authorities in the management of the Reception System” στις δομές των Διαβατών, Φιλιπιάδας Κατσικά και Δολιανών με τη χρηματοδότηση του DH Home και σε συντονισμό με το ΔΟΜ.

Τα κεντρικά γραφεία της ASB εδρεύουν στη Θεσσαλονίκη, ενώ το γραφείο για την περιοχή της Ηπείρου βρίσκεται στα Ιωάννινα

### Σχετική ζήτηση προμήθειας

210215-PR- GR-THS-027-2021



Funded by the  
Asylum, Migration and  
Integration Fund of the  
European Union



## Γενικοί όροι

Η παρακάτω τεχνική ανάλυση έχει σκοπό να θέσει τις κατάλληλες προδιαγραφές και τεχνικά χαρακτηριστικά για την προμήθεια αναλώσιμων και γενικών υλικών για τη δομή των Διαβατων για το 2021.

Ο εργολήπτης θα πρέπει να ενημερώνει τον Senior WASH Shelter officer της ASB για κάθε επίσκεψη συνεργείου του , τουλάχιστον μία εργάσιμη ημέρα πριν , αναφέροντας τα ονόματα των εργαζομένων που πρόκειται να επισκεφτούν καθώς και τον αριθμό πινακίδας των οχημάτων.

Όλες οι εργασίες θα πρέπει να γίνουν σύμφωνα με τους νόμους και τα διατάγματα της Ελλάδας σχετικά με την υγιεινή και ασφάλεια στην εργασία.

## Νομικό πλαίσιο

ΠΔ 778/1980 «Μέτρα ασφαλείας για κατασκευαστικά έργα »

ΠΔ 1396/1983 « Υποχρεώσεις για μέτρα ασφαλείας »

ΠΔ 305/1996 «Ελάχιστα πρότυπα για την υγεία και ασφάλεια στην εργασία στα εργοτάξια κατασκευών»

## Κανόνες ασφαλείας δομής

Η ανώτερη επιτρεπόμενη ταχύτητα των οχημάτων μέσα στη δομή είναι τα 10 km/h.

Οι οδηγοί όλων των οχημάτων πρέπει να επιβεβαιώνουν ότι δεν παίζουν παιδιά γύρω από το όχημα. Αν ο οδηγός αντιμετωπίζει δυσκολίες στον έλεγχο των παιδιών ενώ χειρίζεται το όχημα, πρέπει να ενημερώσει άμεσα τον υπεύθυνο της ASB.

Ο εργολήπτης είναι ο μόνος υπεύθυνος για την ασφάλεια του προσωπικού του. Πρέπει να έχει σύμβαση με αδειοδοτημένο τεχνικό ασφαλείας.

Ο εργολήπτης θα πρέπει να τηρεί όλα τα σχετικά προστατευτικά μέτρα, κατά της διάδοσης του COVID, σύμφωνα με τη σχετική επικαιροποιημένη νομοθεσία. Επίσης ο εργολήπτης θα πρέπει να προμηθεύει το προσωπικό του τον απαραίτητο προστατευτικό εξοπλισμό ώστε να μπορούν να εκτελούν την εργασία τους με ασφάλεια σχετικά με τον COVID. Ο προμηθευτής δεν πρέπει σε καμία περίπτωση να αρνηθεί να προσφέρει τις υπηρεσίες του, προβάλλοντας ως λόγο τη πανδημία COVID, ή πιο συγκεκριμένα πιθανά κρούσματα μέσα στη δομή. Οι υπηρεσίες πρέπει να συνεχίσουν σε τήρηση των κυβερνητικών μέτρων που θέτονται σε τοπικό και εθνικό επίπεδο. Καμία αλλαγή στις τιμές και στους όρους αυτών των προδιαγραφών, δεν δικαιολογείται από οποιαδήποτε εξέλιξη στο θέμα του COVID.



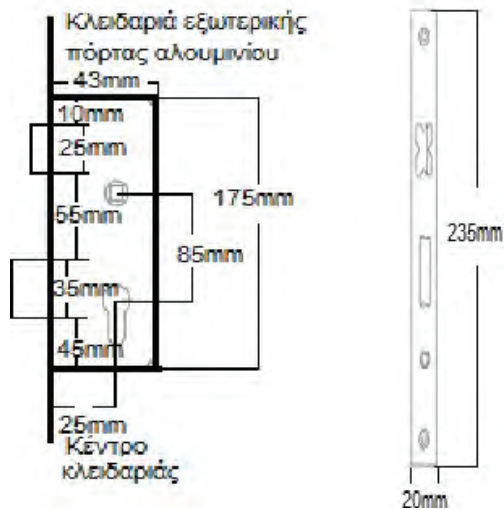
Funded by the  
Asylum, Migration and  
Integration Fund of the  
European Union



## Άρθρα εργασιών

Παρακάτω υπάρχουν οι αναλυτικές τεχνικές προδιαγραφές για όσα υλικά θεωρείται ότι χρειάζεται πιο λεπτομερής ανάλυση.

### 1. ΚΛΕΙΔΑΡΙΑ ΧΩΝΕΥΤΗ ΚΥΛΙΝΔΡΟΥ ΕΞΩΠΟΡΤΑΣ ΑΛΟΥΜΙΝΙΟΥ ΜΕ ΓΛΩΣΣΑ ΚΕΝΤΡΟ 25mm



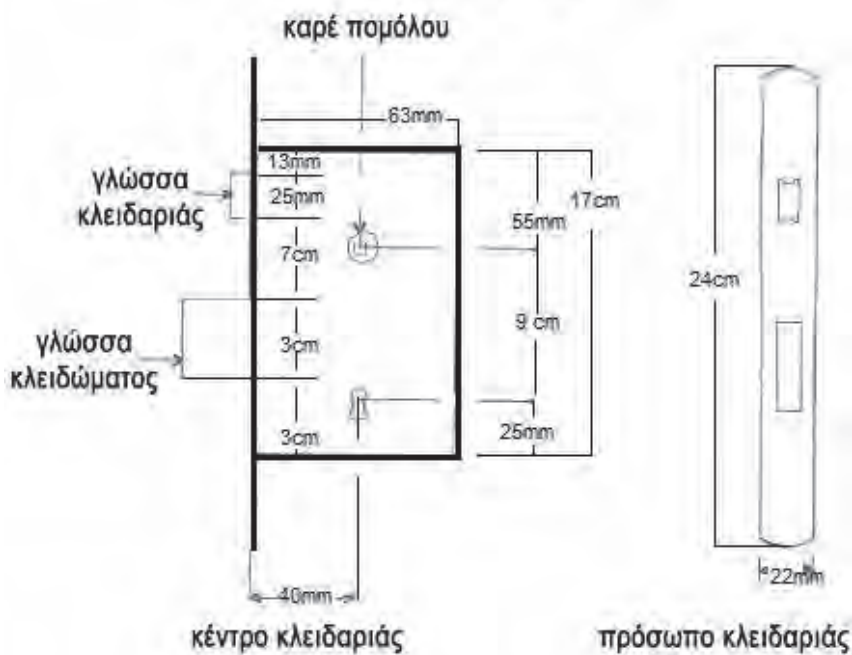


Funded by the  
Asylum, Migration and  
Integration Fund of the  
European Union



## 2. ΚΛΕΙΔΑΡΙΑ ΜΕΣΟΠΟΡΤΑΣ ΧΩΝΕΥΤΗ ΜΕ ΚΛΕΙΔΙ ΚΕΝΤΡΟ 40mm.

### ΚΛΑΣΣΙΚΗ ΚΛΕΙΔΑΡΙΑ ΧΩΝΕΥΤΗ ΜΕ ΚΛΕΙΔΙ ΜΕΣΟΠΟΡΤΑΣ



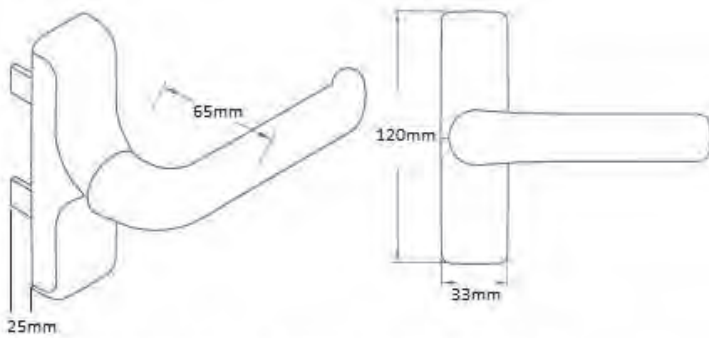




Funded by the  
Asylum, Migration and  
Integration Fund of the  
European Union



### 3. ΠΟΜΟΛΟ-ΣΠΑΝΙΟΛΕΤΑ ΑΝΟΙΓΟΜΕΝΟΥ ΠΑΡΑΘΥΡΟΥ ΑΛΟΥΜΙΝΙΟΥ ΓΙΑ CAMERA EUROPA.



ΠΟΜΟΛΟ-ΣΠΑΝΙΟΛΕΤΑ ΑΝΟΙΓΟΜΕΝΟΥ ΠΑΡΑΘΥΡΟΥ  
ΑΛΟΥΜΙΝΙΟΥ



Funded by the  
Asylum, Migration and  
Integration Fund of the  
European Union



#### 4. Γωνίες στήριξης λουκέτου μήκος βίδας 80mm

